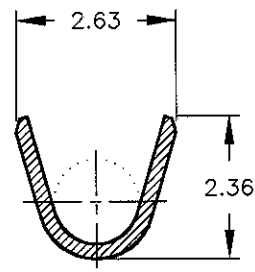
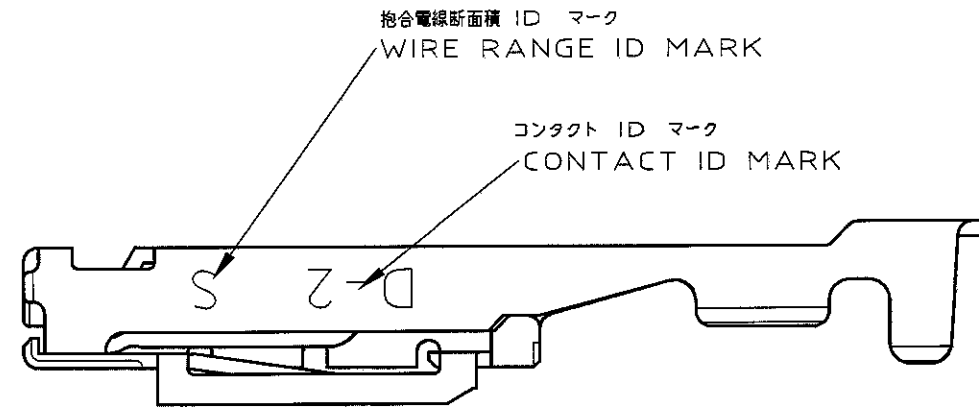


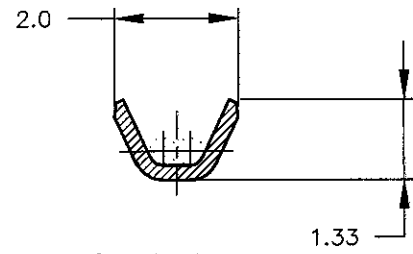
P	LTR	DESCRIPTION	ECN	DATE	DWN	APVD
0		RELEASED	FJ00-1421-98	7/DEC/98	K.I.H	H
A		REVISED	FJ00-0931-99	1/JUN/99	K.I.H	H
B		REVISED	FJ00-2676-01	11/DEC/01	T.S	S.M



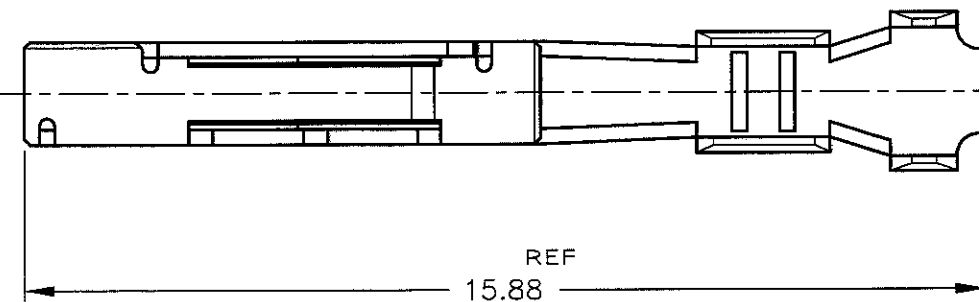
断面 B-B
SECT B-B



-1:AS SHOWN
-1:本図

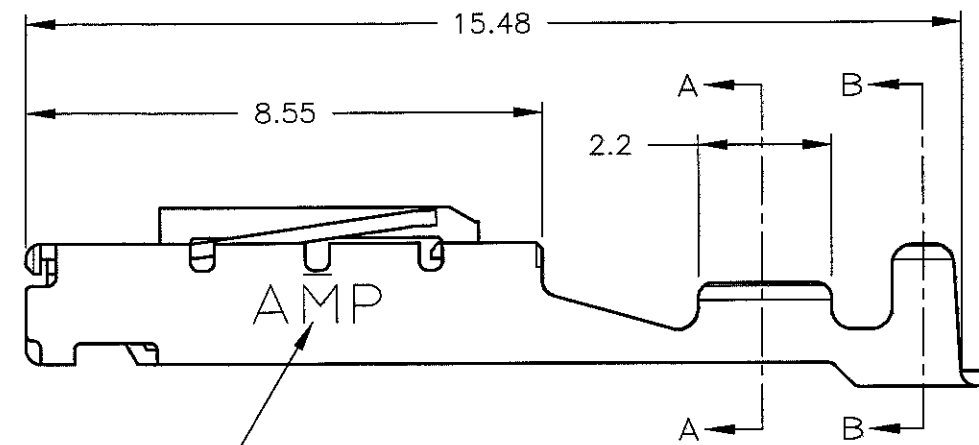
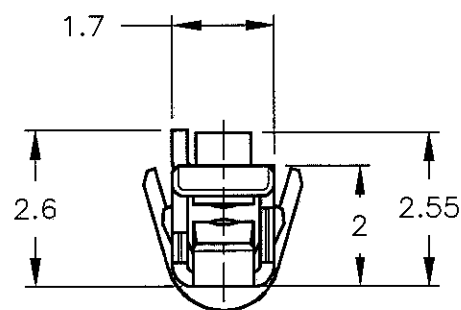


断面 A-A
SECT A-A



注記

1. めっき: コンタクト: 全面Ni下地
接触部: 0.38μm MIN金めっき



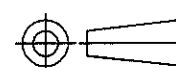
NOTES

1. FINISH (CONTACT AREA): 0.38μm MIN GOLD PLATING OVER Ni PLATING

AMP マーク
AMP MARK

THIS DRAWING IS A CONTROLLED DOCUMENT FOR AMP INCORPORATED. IT IS SUBJECT TO CHANGE AND THE CONTROLLING ENGINEERING ORGANIZATION SHOULD BE CONTACTED FOR THE LATEST REVISION.

DIMENSIONS:
単位 番:
mm



TOLERANCES UNLESS OTHERWISE SPECIFIED

一般公差
10% ±0.3
30% >10 ±0.35
100% >30 ±0.4
ANGLE: ±3'

MATERIAL
材料
銅合金
(COPPER ALLOY)

FINISH
仕上
注記参照
SEE NOTE

DWN 7/DEC/98
CHK K.IKEDA
7/DEC/98
N.MATSUBARA
APVD 7/DEC/98
I.HASEGAWA

PRODUCT SPEC
製品規格
108-5619

APPLICATION SPEC
取付適用規格
114-5258

WEIGHT

CUSTOMER DRAWING

WIRE RANGE
抱合電線断面積
AWG #28~#24

INSULATION DIA
被覆外径
0.88~1.5

AMP Tyco Electronics AMP K.K
Kawasaki, Japan

NAME
名称
REC CONTACT "S" SIZE, L/P
リセ コンタクト "S" サイズ, L/P
<DYNAMIC D-2 SERIES>

SIZE	CAGE CODE	DRAWING NO	RESTRICTED TO
A3	00779	1318108	-

SCALE 8-1 SHEET 1 OF 1 REV B